



**ANALOG  
DEVICES**

# ±5g Dual-Axis Accelerometer, SPI Interface Evaluation Board

Preliminary Technical Data

**ADIS16006/PCB**

## GENERAL DESCRIPTION

The ADIS16006/PCB is a simple evaluation board that provides convenient access to the ADIS16006 using a standard 2mm, 2x6, connector interface. These connectors can be accessed using a variety of cable options, including standard 1mm ribbon cables. The ADIS16006/PCB is designed to be evaluated in an existing digital platform (MCU, DSP, FPGA, PLD, etc) or as part of the ADISEVAL system. Four mounting holes (sized for 2-56 or 2mm screws) have been provided to secure the board during evaluation.

## CIRCUIT DESCRIPTION

The schematic, layout and parts list for the ADIS16006/PCB can be found in Figure 1, Figure 2, and Table 1.

The ADIS16006's digitized outputs can be accessed using the 4-wire serial port interface (SPI) signals on J1: SCLK, CS, DOUT and DIN. For specific information on using the ADIS16006's SPI interface, refer to the ADIS16006 datasheet. C1 is not populated but provides opportunity to add a filtering capacitor for helping clean up noisy power supply inputs. C2 and C3 are not installed but provide the ability to reduce the bandwidth on each axis. See the ADIS16006 datasheet for more details.

Table 1 – ADIS16006/PCB Parts List

Reference Designator	Part Description
U1	ADIS16006CCCZ
J1,J2	Connector, 12-pin, dual row, 2mm Digikey P/N: H1785-ND
C1	Power supply filter. Not installed
C2, C3	Bandwidth control. Not Installed

Ribbon cable socket for J1/J2: Digikey P/N MSA12A-ND

## SPECIAL NOTES ON HANDLING

Note that the ADIS16006/PCB is not reverse polarity protected. Reversing the power supply or applying inappropriate voltages to any pin (outside the Absolute Maximum Ratings in the ADIS16006 data sheet) may damage the ADIS16006/PCB.

Table 2 – Power Supply Levels

Vcc **+3.0V to +5.25V**

### Rev. PrD

Evaluation boards are only intended for device evaluation and not for production purposes. Evaluation boards as supplied "as is" and without warranties of any kind, express, implied, or statutory including, but not limited to, any implied warranty of merchantability or fitness for a particular purpose. No license is granted by implication or otherwise under any patents or other intellectual property by application or use of evaluation boards. Information furnished by Analog Devices is believed to be accurate and reliable. However, no responsibility is assumed by Analog Devices for its use, nor for any infringements of patents or other rights of third parties that may result from its use. Analog Devices reserves the right to change devices or specifications at any time without notice. Trademarks and registered trademarks are the property of their respective owners. Evaluation boards are not authorized to be used in life support devices or systems.

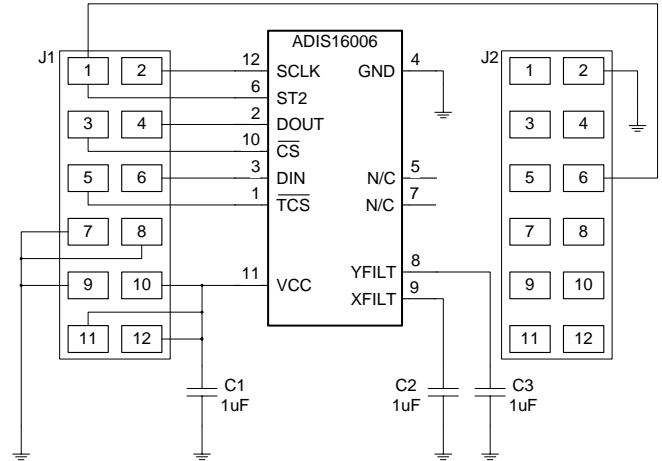


Figure 1 - ADIS16006/PCB Schematic

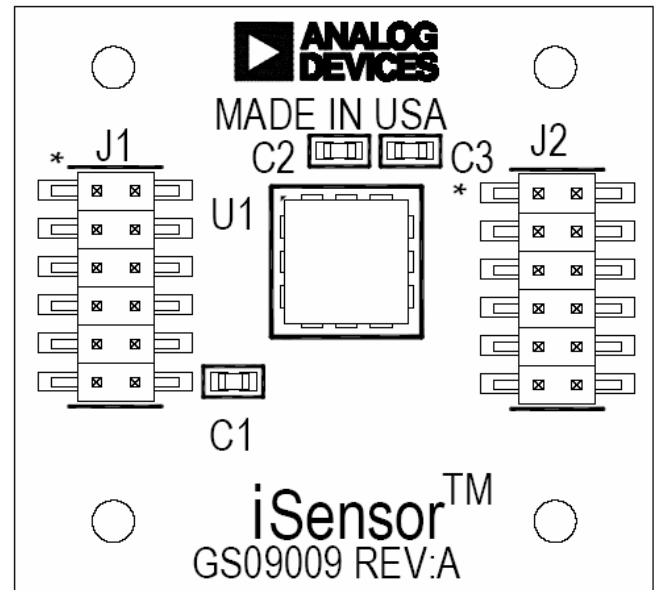


Figure 2 - ADIS16006/PCB Layout (Top View)

## ORDERING GUIDE

Model	Package Description
ADIS16006/PCB	Evaluation Board, RoHS Compliant
ADISEVAL	iSensor™ PC Evaluation System

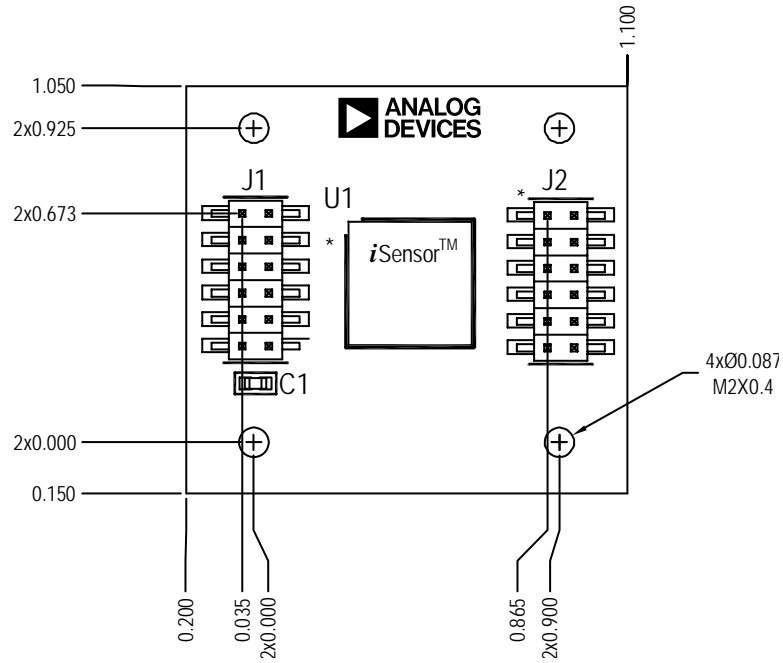


Figure 3. ADIS16XXX/PCB Mechanical Drawing